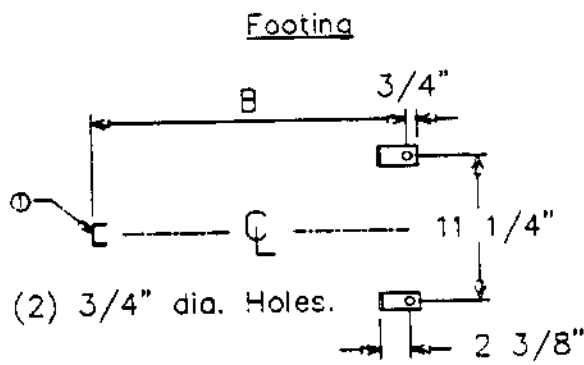
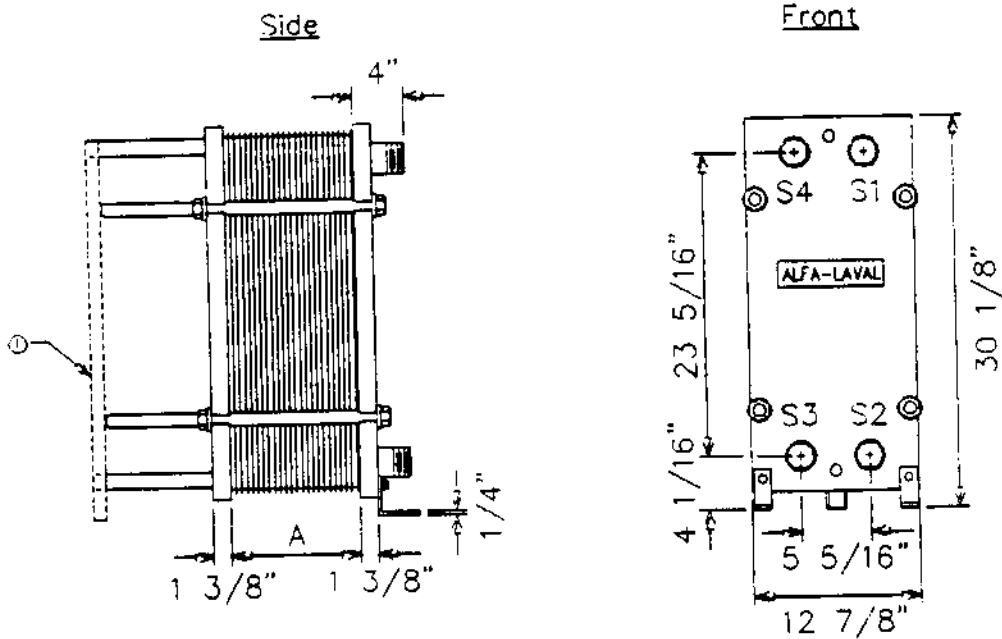


Designed, constructed and stamped in accordance with latest  
 89 A.S.M.E. code and addendum.



B	*
14 7/8"	*
26"	⊙
37 13/16"	⊙

⊙ Support Column Utilized

**Connections**

Location	Function	Material	Size	Type
S1	Diagonal Flow	STAINLESS	2"	NPT
S3		STAINLESS	2"	NPT
S2	Diagonal Flow	STAINLESS	2"	NPT
S4		STAINLESS	2"	NPT

**Notes:**

Customer: FETCOR, INC.  
 P.O. No.: 2007  
 Item No.:  
 A/L Ord. No.: VP20580/40366  
 A/L Ser. No.: 30101-66235 to 66236

Design Press./Temp.: 150 PSI / 230 F  
 Mat'l Plates/Gaskets: 316 S.S. / NITRILE  
 # Plates Actual/Max.: 35 / 50  
 Weight Dry/Flooded: 370 # / 396 #  
 For Mfg. Only, LC/LT: 320 mm / 350 mm

P2-FG  
 Plate Heat Exchanger

**ALFA-LAVAL**  
 THERMAL COMPANY  
 Manufactured in Poughkeepsie, NY

Rev.	Description	By	Chk	Date	Appr	Date	Lowg	Control
1	Design the unit here and add statement. Check sheet 'B' for connection 'C'	MG	WBT	1/28	REV-11-E9	9	ac	off mfg

Dwg. No.: 88002-132 Rev.: B

CUSTOMER FETCOR, INC.

P.O.#: 2007

=====

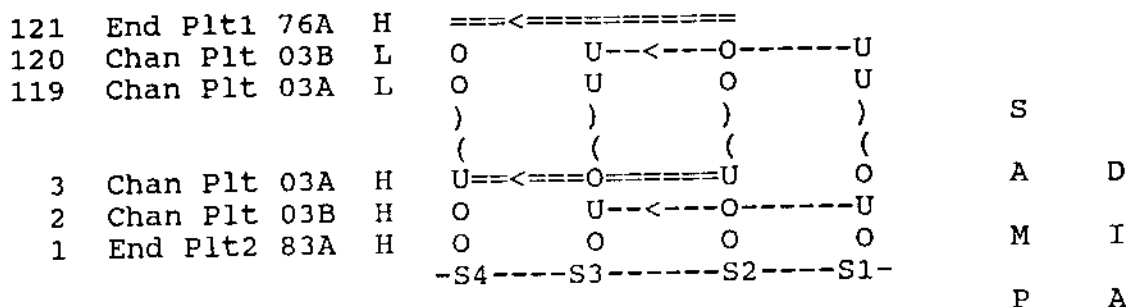
ALFA-LAVAL THERMAL PLATE HEAT EXCHANGER

=====

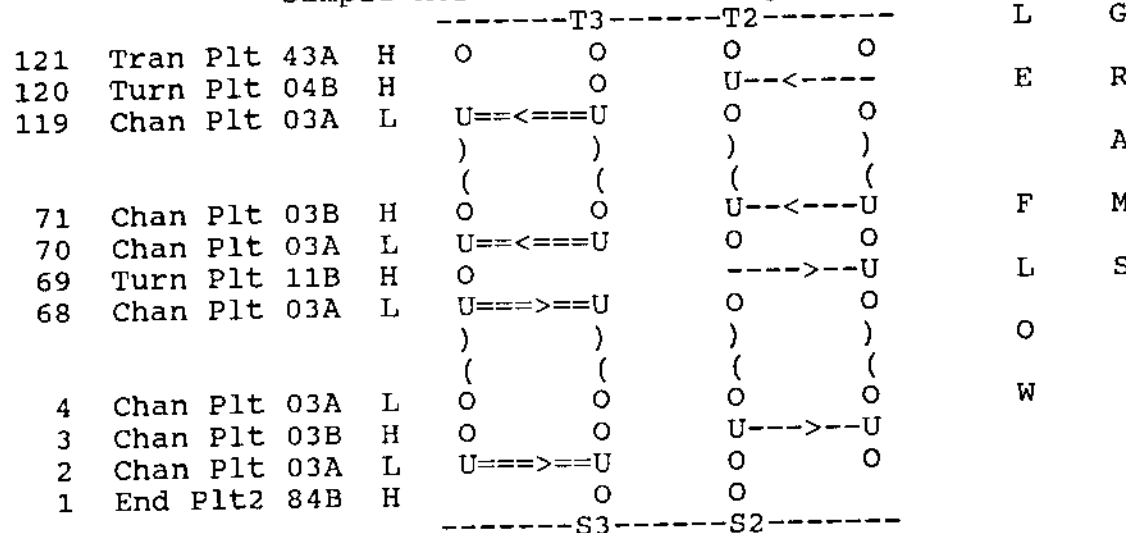
Model Type P2-FG  
 Quantity 2  
 Serial no. 30101-66235,66236  
 Mfg no. M40366  
 Supplier Alfa-Laval Thermal, Richmond, VA Ref. VP20580  
 Agent  
 Gasket sides of the plates are facing the frame plate.  
 Plates with diagonal flow.  
 Plates material AISI 316  
 thickness 0.6mm  
 Gasket material NBR Clip-on  
 A - Dimension (See Drawing) 123 mm  
 Total number of plates 35  
 Total unit dry weight 370 lb

-----SAMPLE FLOW DIAGRAMS-----

Sample SINGLEPASS Flow Diagram



Sample MULTIPASS Flow Diagram



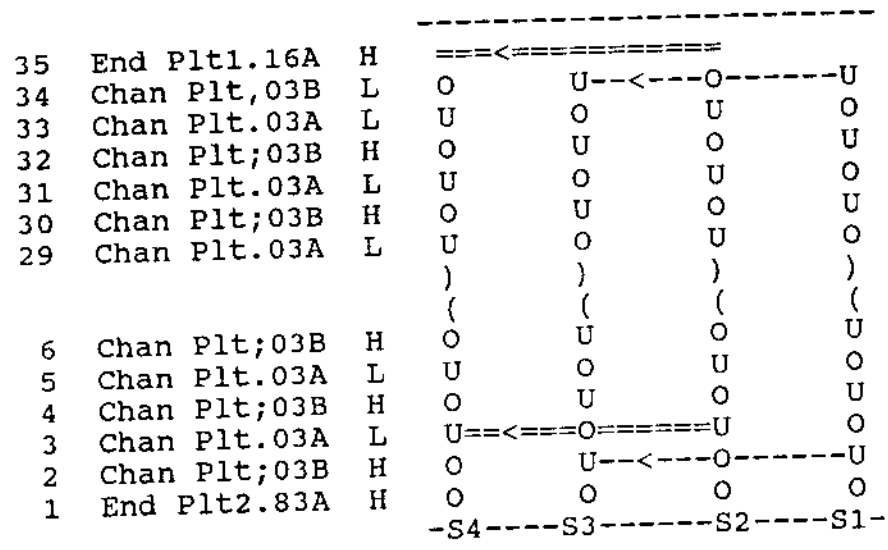
See following page for Flow Diagram Discriptions.  
 \*\*\* SEE PAGE 1 FOR YOUR FLOW DIAGRAM. \*\*\*

-----

30101-66235,66236 ----- U:\PLAJOB\M40366

2\*P2 CH51 AISI\_316 0.6mm NBR\_Clip-on 03/19/91

1\*(16MH+1L) S1->S3 WATER  
1\*(16ML+1L) S4<=S2 WATER



Plates: CH51 AISI 316 0.6mm NBR Clip-on  
2 1 Chan Plt, 03B L Channel plate  
32 16 Chan Plt.03A L Channel plate  
32 16 Chan Plt;03B H Channel plate  
2 1 End Plt1.16A H End plate 1  
2 1 End Plt2.83A H End plate 2

Gaskets: Nitrile Clip-on  
34 17 32263-1804-6 Channel plate gasket A  
34 17 32263-1809-6 Channel plate gasket B  
2 1 End plate gasket II consists of:  
2 1 32263-1804-6 1 Channel plate gasket A  
2 1 32263-1809-6 1 Channel plate gasket B